

1 The Eastgate Office Centre
Eastgate Road
Bristol BS5 6XX
United Kingdom



Switchboard: +44 (0) 117 9515151
Main Fax: +44 (0) 117 9524103
E-mail: general@vca.gov.uk
Web Site: www.vca.gov.uk

THE UNITED KINGDOM VEHICLE APPROVAL AUTHORITY

Rev.8/98



COMMUNICATION CONCERNING THE APPROVAL GRANTED OF A TYPE
OF REAR FOG LAMP FOR POWER-DRIVEN VEHICLES AND THEIR
TRAILERS PURSUANT TO REGULATION NO 38

Approval No: 00150

1. Trade name or mark of the device: Britax
2. Manufacturer's name for the type of device: Britax PMG Limited
3. Manufacturers name and address:

Britax PMG Limited
Bessingby Industrial Estate
Bridlington
East Yorkshire YO16 4SJ
United Kingdom
4. If applicable, name and address of the manufacturers representative: Not Applicable
5. Submitted for approval on: 4 September 2001
6. Technical service conducting approval tests: BSI Product Services
7. Date of report issued by that service: 28 September 2001
8. Number of report(s) issued by that service: 247/4187957



INVESTOR IN PEOPLE

9. Concise description⁽¹⁾ :
Number and type(s) of lamp(s): 1 x P21W red rear fog lamp

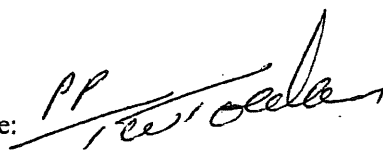
10. Position of the approval mark: On the lens

11. Reason(s) for extension (if applicable): Not Applicable

12. Approval GRANTED

13. Place: BRISTOL

14. Date: 24 OCTOBER 2001

15. Signature: 

P F NICHOLL

EAA 007848

16. The list of documents deposited with the Administrative service which has granted approval is annexed to this communication and may be obtained on request.

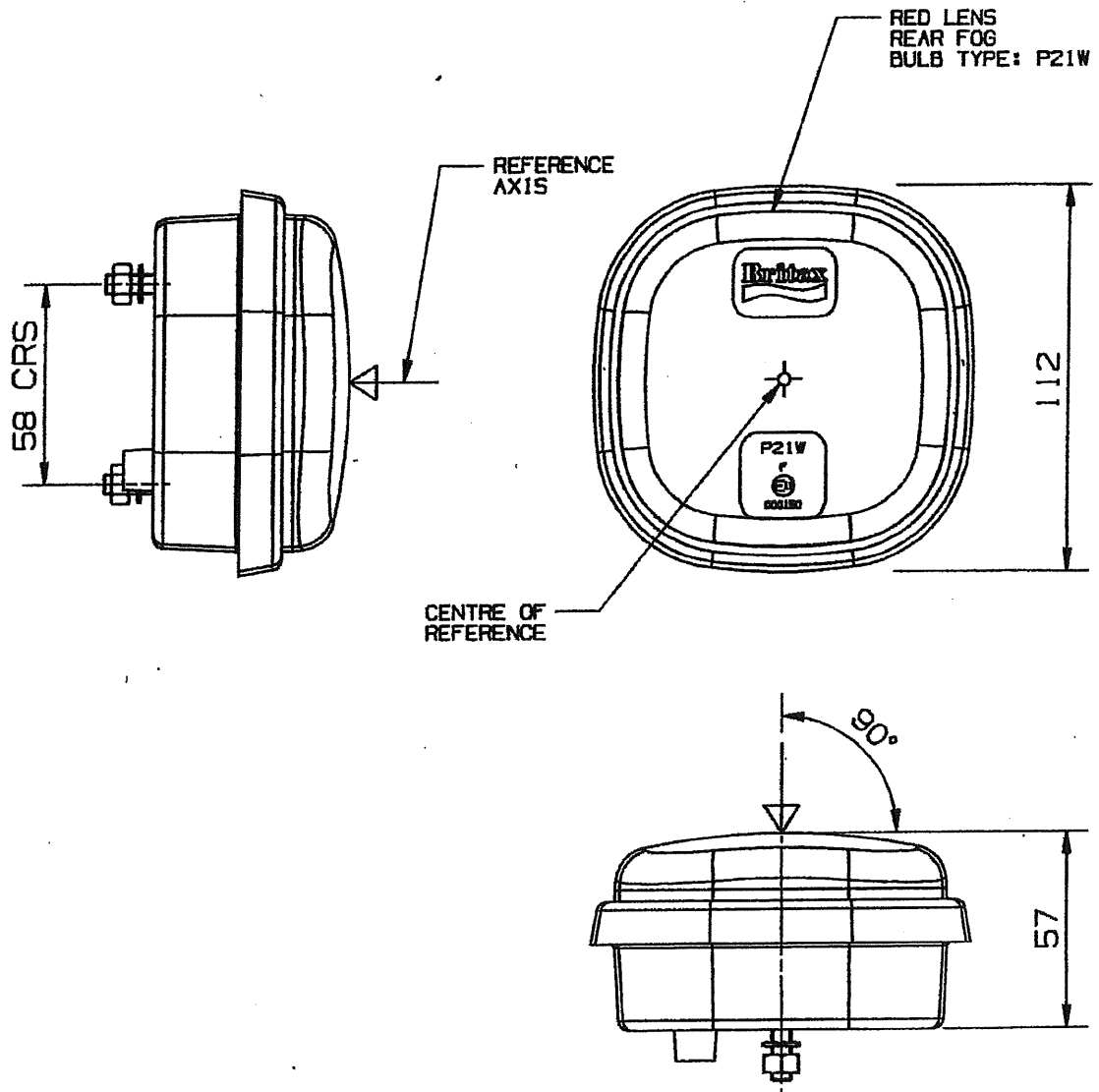
⁽¹⁾ For rear fog lamps with non-replaceable light sources indicate the number and the total wattage of the sealed-in light sources.



REAR LAMP
REAR FOG FUNCTION

L11
SERIES

Report No 247/4187957
Page 7 of 11



REFERENCE AXES PARALLEL WITH ROAD SURFACE AND VEHICLE
MEDIAN LONGITUDINAL VERTICAL PLANE.

LENS: THERMOPLASTIC, RED.
BASE: RUBBER, BLACK.



MOD No	REFERENCE	ISS	DATE	BY
1.1298	PRODUCTION REL A	10/09/01	R.H.	



BRITAX PMG LTD.,
BESSINGBY INDUSTRIAL ESTATE,
BRIDLINGTON,
EAST YORKSHIRE, YO16 4SJ

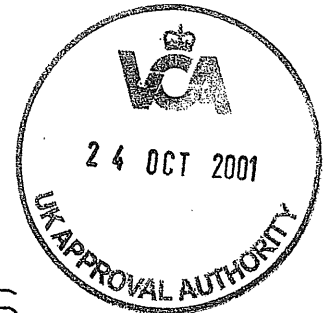
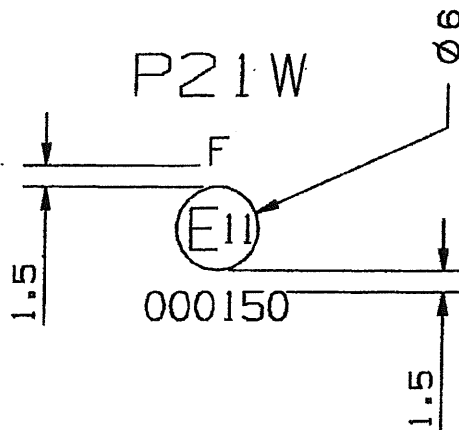
BS1226

Sht 1 of 5

REAR LAMP
REAR FOG FUNCTION

L11
SERIES

Report No 247/4187957
Page 8 of 11



CHARACTER HEIGHTS

BULB TYPE (P21W)	3.0
TOP CHARACTERS (F)	2.0
E	3.0
11	2.0
APPROVAL No. (000150)	2.0

		10/09/01	R.H.
	PRODUCTION REL	A	ISS
	REFERENCE		DATE
	MOD No		BY
11298			



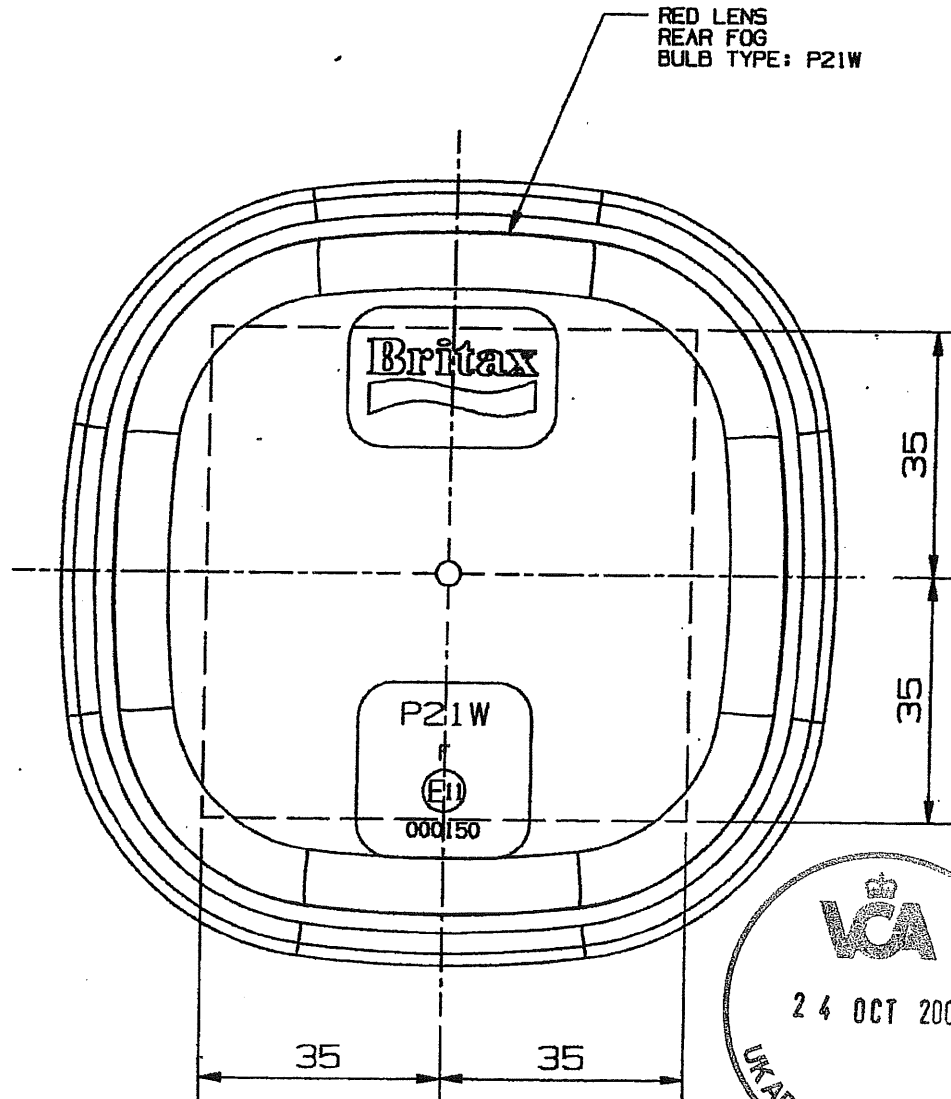
BRITAX PMG LTD.,
BESSINGBY INDUSTRIAL ESTATE,
BRIDLINGTON,
EAST YORKSHIRE, YO16 4SJ

BS1226
Sht 2 of 5

REAR LAMP
REAR FOG FUNCTION

L11
SERIES

Report No 247/4187957
Page 9 of 11



DEFINITION OF ILLUMINATING SURFACE

MOD No	1.1288	PRODUCTION REL	A	10/09/01	R.H.
		REFERENCE		DATE	BY



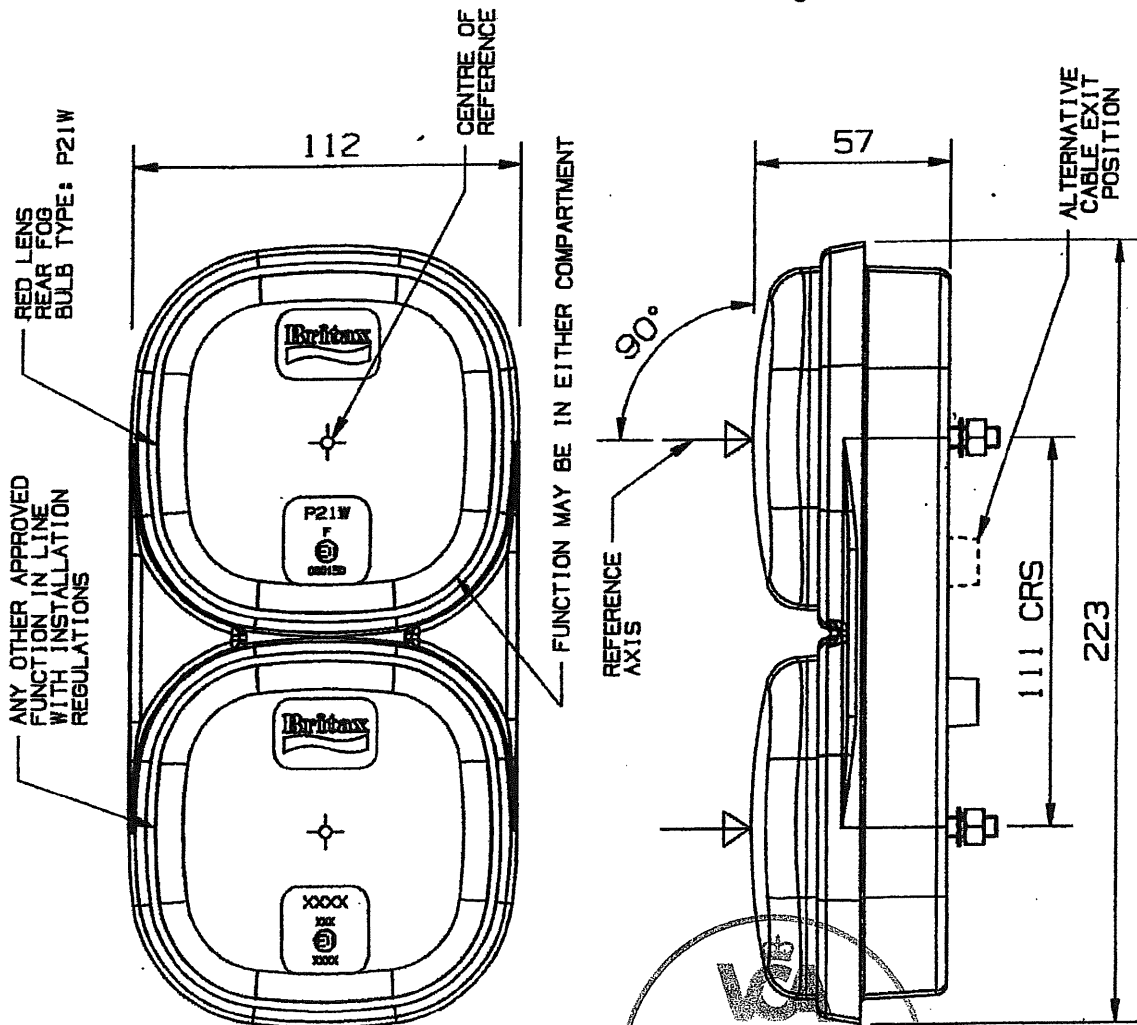
BRITAX PMG LTD.,
BESSINGBY INDUSTRIAL ESTATE,
BRIDLINGTON,
EAST YORKSHIRE, YO16 4SJ

BS1226
Sht 3 of 5

REAR LAMP
REAR FOG FUNCTION

L12
SERIES

Report No 247/4187957
Page 10 of 11



REFERENCE AXES PARALLEL WITH ROAD SURFACE AND VEHICLE MEDIAN LONGITUDINAL VERTICAL PLANE.

LENS: THERMOPLASTIC, RED.
BASE: RUBBER, BLACK.

LAMP MUST BE MOUNTED VERTICALLY OR HORIZONTALLY.

11298	PRODUCTION REL	A	10/09/01	R.H.	BY
MCD No	REFERENCE	ISS	DATE		



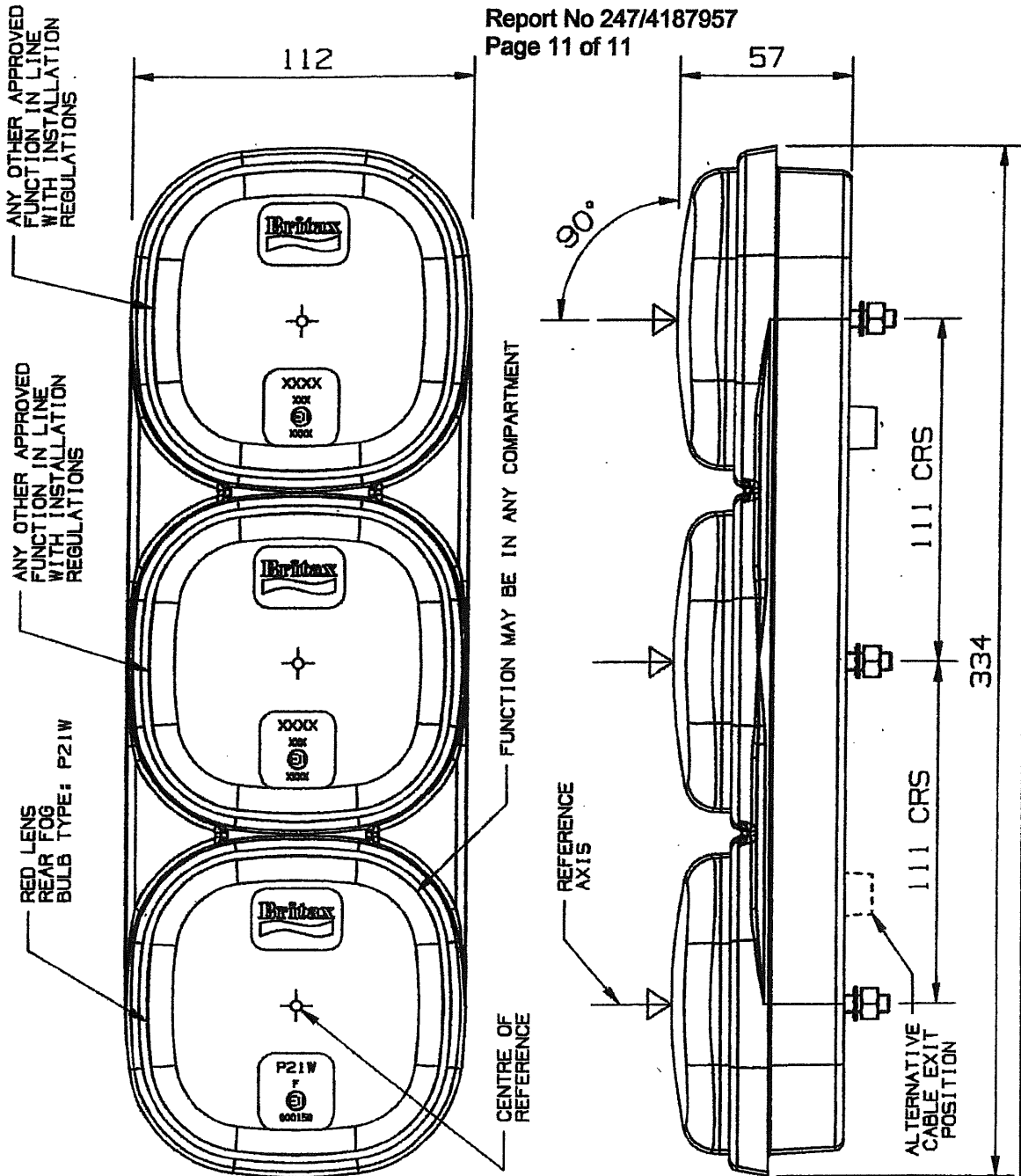
BRITAX PMG LTD.,
BESSINGBY INDUSTRIAL ESTATE,
BRIDLINGTON,
EAST YORKSHIRE, YO16 4SJ

BS1226
Sht 4 of 5

REAR LAMP
REAR FOG FUNCTION

L13
SERIES

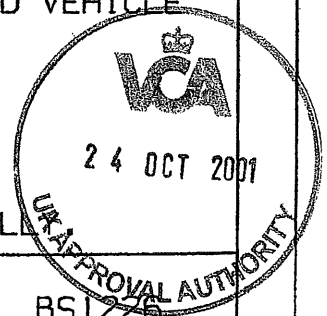
Report No 247/4187957
Page 11 of 11



REFERENCE AXES PARALLEL WITH ROAD SURFACE AND VEHICLE MEDIAN LONGITUDINAL VERTICAL PLANE.

LENS: THERMOPLASTIC, RED.
BASE: RUBBER, BLACK.

LAMP MUST BE MOUNTED VERTICALLY OR HORIZONTALLY



1129B	PRODUCTION REL A	10/09/01	R.H.
MOD No	REFERENCE	ISS	DATE BY



BRITAX PMG LTD.,
BESSINGBY INDUSTRIAL ESTATE,
BRIDLINGTON,
EAST YORKSHIRE, YO16 4SJ

BS1226
Sht 5 of 5