



BRITISH STANDARDS INSTITUTION CERTIFICATE

COPY

This is to certify that Type No. 430:00 position (side) light

with the following function:

Uncoloured position (side) light

and equipped with filament lamp Type R19 12v 5w

Submitted by: P.M.G.Thorpe Limited,
Springfield,
Yeadon,
Yorkshire.

on the 16th April, 1970

has been tested at the Hemel Hempstead Centre of the British Standards Institution in accordance with Regulation 7 annexed to the United Nations Agreement prepared in Geneva, 1958

and complies with all requirements for the function stated above.

Laboratory Report No. 50055

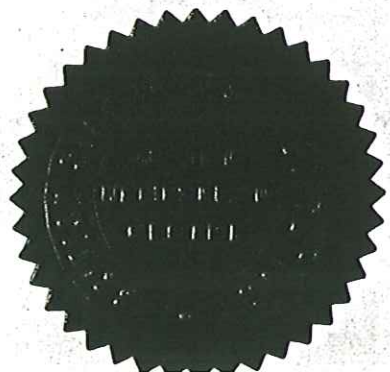
Dated: 20th May, 1970

Certificate No: L1336 *1110*

Date 27th May, 1970

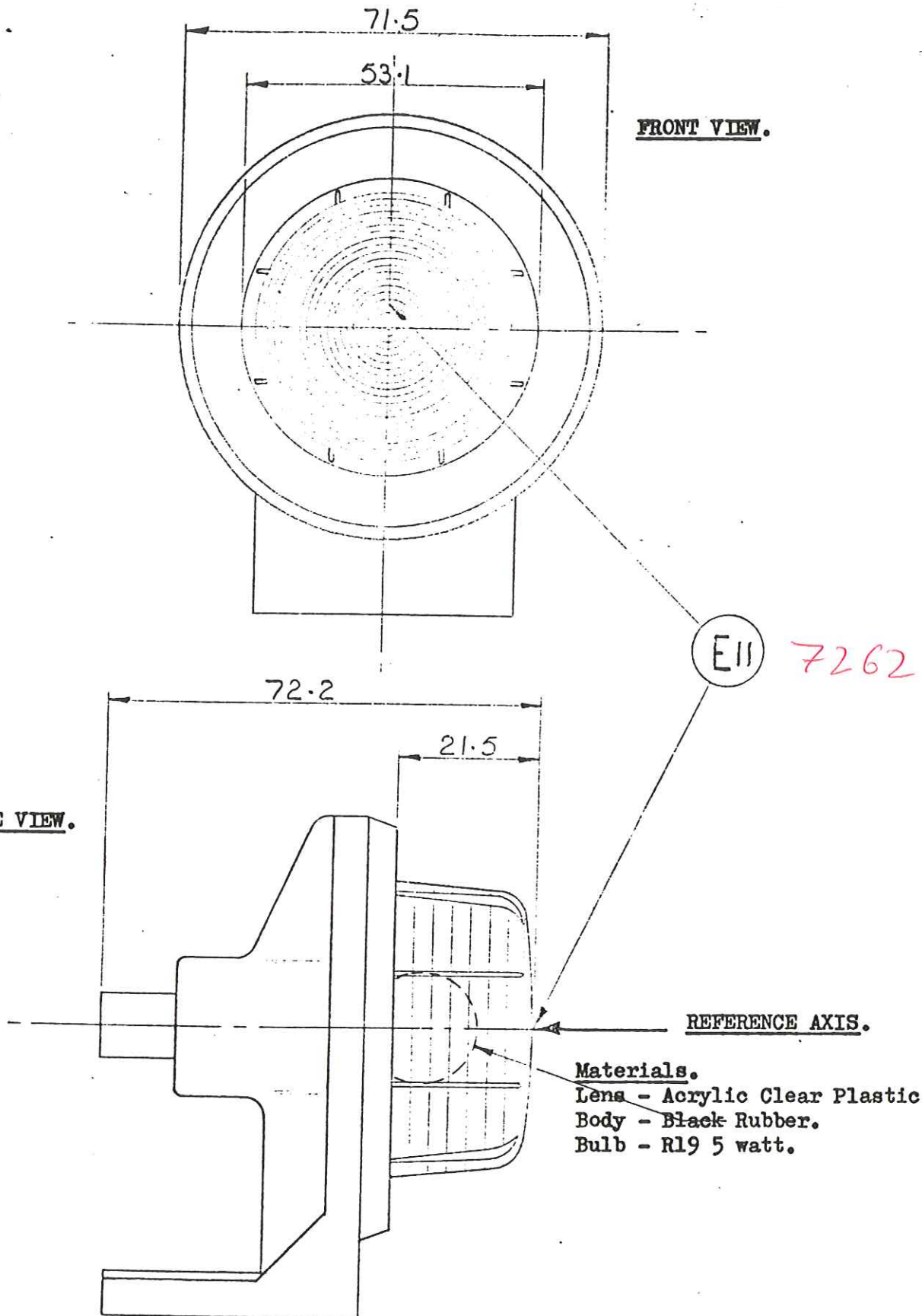
Executive Director

**BRITISH STANDARDS INSTITUTION
HEMEL HEMPSTEAD CENTRE**



SIDE POSITION.

LAMP TYPE
430.00 Series.



Dimensions in mm.

BS 1032

P.M.G. THORPE LIMITED,
SPRINGFIELD,
YEADON, LEEDS, YORKS.