



VEHICLE CERTIFICATION AGENCY

1 The Eastgate Office Centre
Eastgate Road
Bristol BS5 6XX
United Kingdom

☎ Switchboard 0117 951 5151
☎ Direct Line 0117 952 41
Fax: 0117 952 4103

THE UNITED KINGDOM VEHICLE APPROVAL AUTHORITY

Rev 7/93



COMMUNICATION CONCERNING THE APPROVAL GRANTED OF
A TYPE OF DEVICE PURSUANT REGULATION NO 7.02

Approval No 01 233

Extension No. 8

1. Trade name or mark of the device: Britax
2. Manufacturer's name for the type of device: Models 427.00, 50, 200 + 300 and
Models 428.100+150
3. Manufacturer's name and address: Britax PMG Limited
Bessingby Industrial Estate
Bridlington
East Yorkshire
YO16 4SJ
United Kingdom
4. If applicable, name and address of manufacturer's representative: Not applicable
5. Submitted for approval on: As before and 6 November 1998
6. Technical service responsible for conducting approval tests: BSI Product Services
7. Date of report issued by that service: As before and 26 January 1999
8. Number of report issued by that service: As before and 247/005188



9. Concise description ⁽¹⁾:

By category of lamp: Front position (side) and Rear position (side)/end outline markers

Colour of light emitted: white/red

Number and category of filament lamp(s): One R5W

10. Position of the approval mark: On thermoplastic lens


11. Reason(s) for extension (if applicable): To incorporate new mounting positions and to conform to ECE Regulation 7.02

12. Approval GRANTED

13. Place: BRISTOL

14. Date: 18 FEBRUARY 1999

15. Signature:

 P. P. NICHOLL

16. The list of documents deposited with the Administrative Service which has granted approval is annexed to this communication and may be obtained on request.

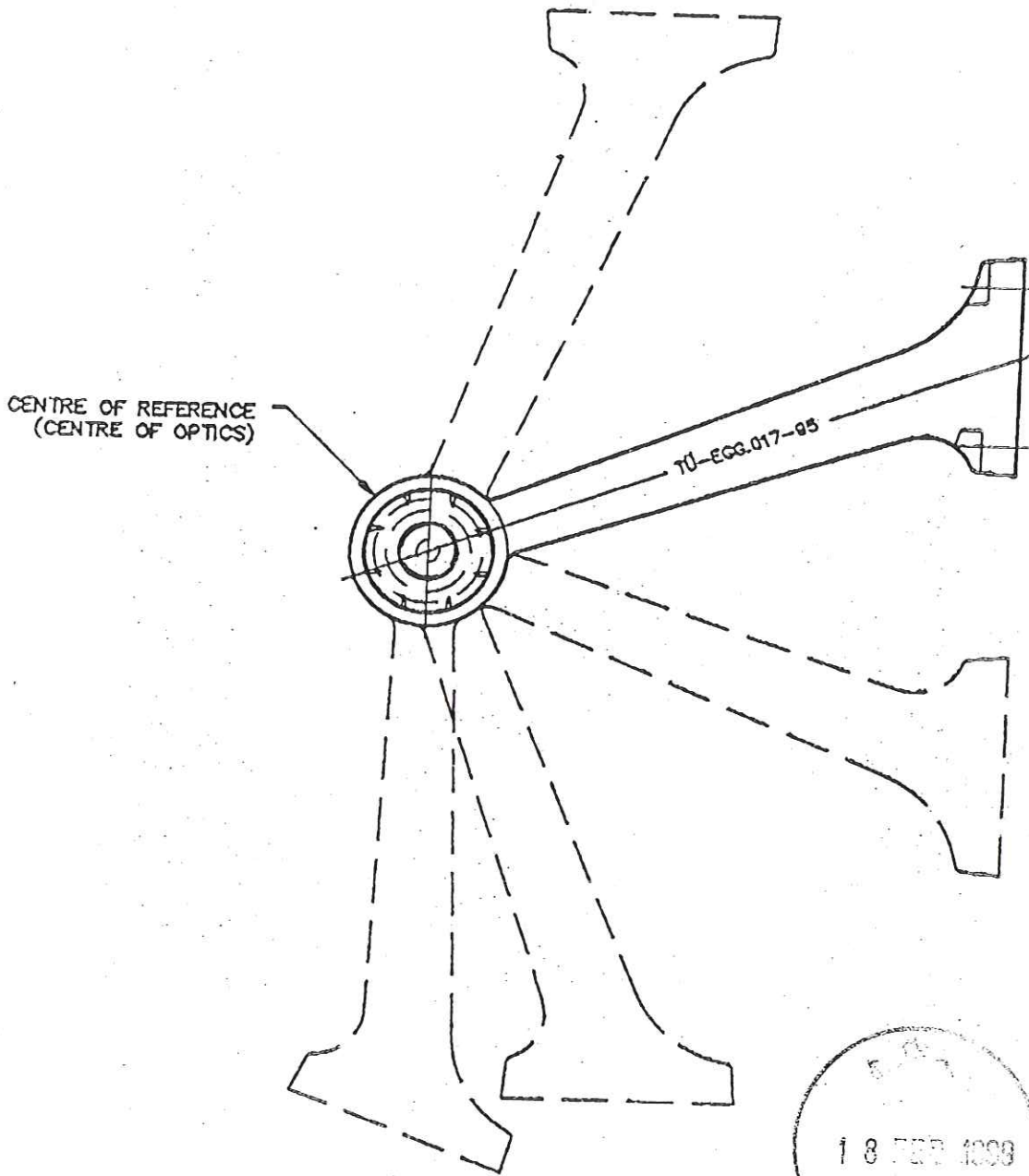
⁽¹⁾ For lamps with non-replaceable light sources indicate the number and the total wattage of the light sources.

98/99 6703



FRONT POSITION (SIDE) & REAR
POSITION (SIDE)/ END OUTLINE MARKER LAMP

427.00
SERIES



APPROVED ALTERNATIVE MOUNTING POSITIONS

PRODUCTION REL.	A	15/07/97	D.R.	BY
REFERENCE	ISS	DATE		
MOG No				



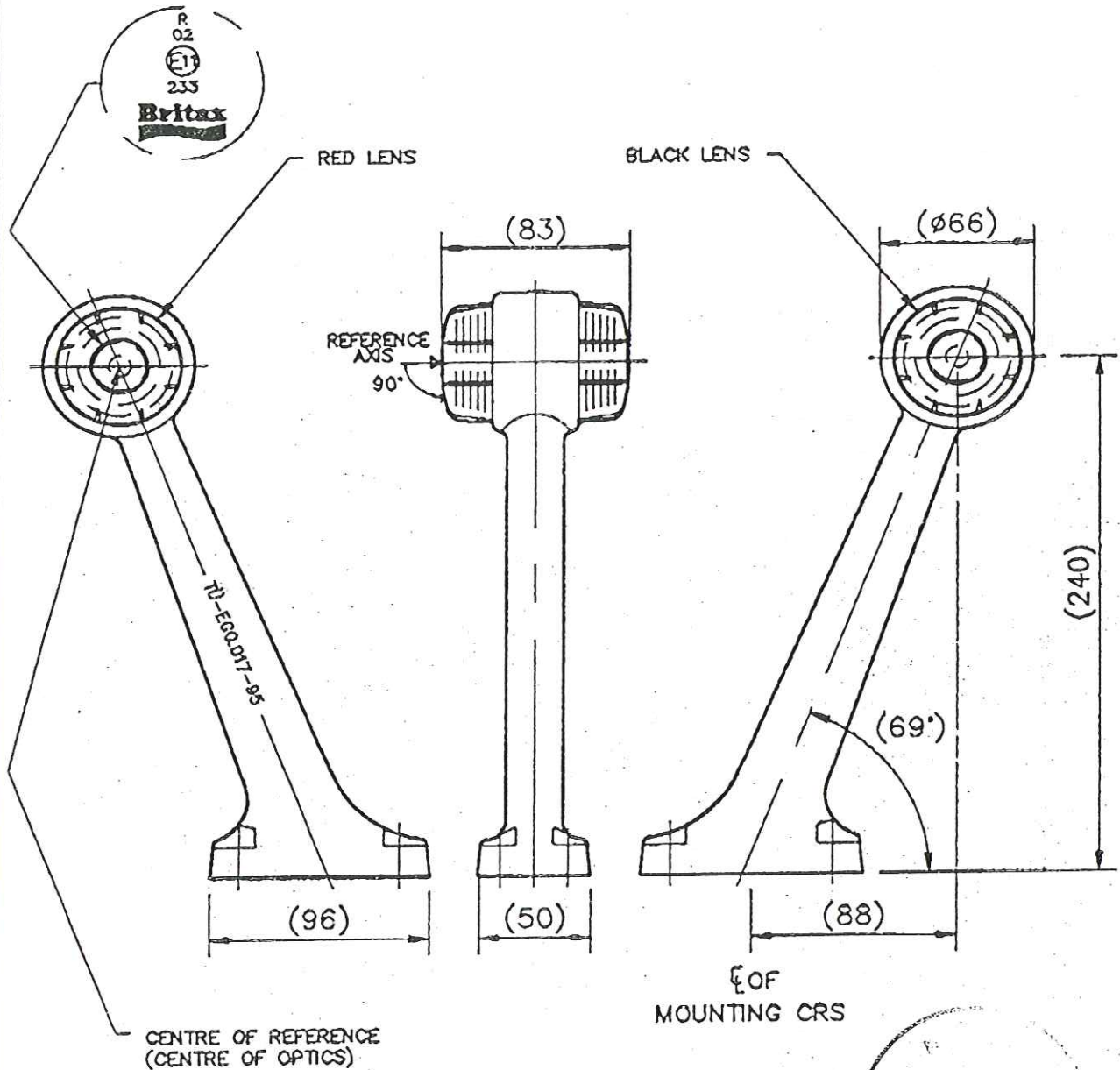
Britax PMG Limited
 Bessingby Industrial Estate,
 Bridlington,
 East Yorkshire, YO16 4SJ

BS1188

Sht 3 of 3

REAR POSITION (SIDE)/ END
OUTLINE MARKER LAMP

427.50
SERIES



REFERENCE AXES, PARALLEL WITH ROAD SURFACE AND PARALLEL WITH THE VEHICLE MEDIAN LONGITUDINAL VERTICAL PLANE.
BLACK RUBBER BASE WITH STEEL MTG PLATE AND BULBHOLDER.
THERMOPLASTIC LENS, RED & BLACK (MAY BE FITTED TO EITHER SIDE OF LAMP).
BULB TYPE : R5W



R 0981 PRODUCTION REL A 15/07/97 D.R. BY
MOD No REFERENCE ISS DATE

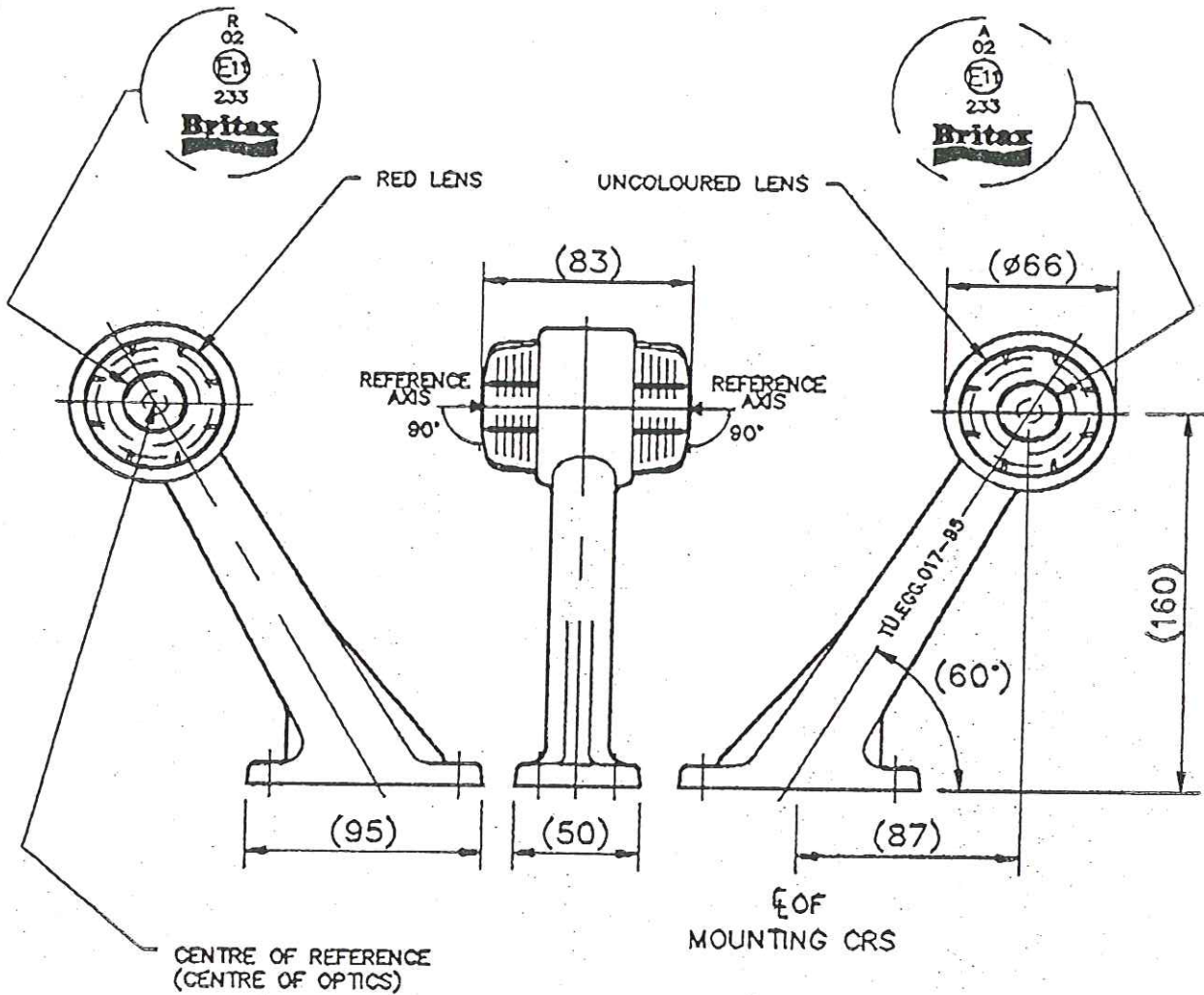


Britax PMG Limited
Bessingby Industrial Estate,
Bridlington,
East Yorkshire, YO16 4SJ

BS1189
Sht 1 of 3

FRONT POSITION (SIDE) & REAR
POSITION (SIDE)/ END OUTLINE MARKER LAMP

427.200
SERIES



REFERENCE AXES, PARALLEL WITH ROAD SURFACE AND PARALLEL WITH THE VEHICLE MEDIAN LONGITUDINAL VERTICAL PLANE.

BLACK RUBBER BASE WITH STEEL MTG PLATE AND BULBHOLDER. THERMOPLASTIC LENS, RED & UNCOLOURED (MAY BE FITTED TO EITHER SIDE OF LAMP).

BULB TYPE : R5W



Britax PMG Limited
Bessingby Industrial Estate,
Bridlington,
East Yorkshire, YO16 4SU

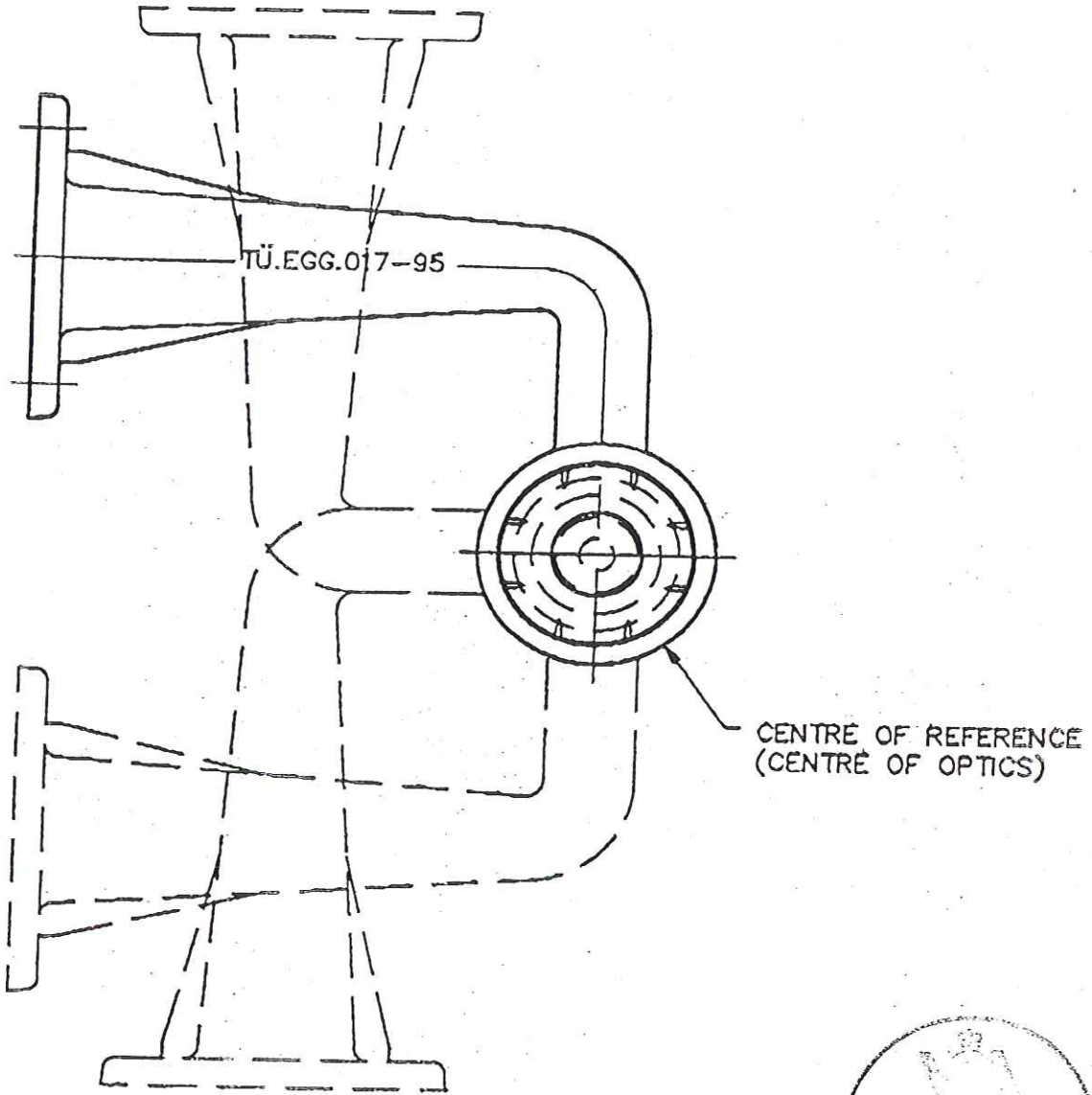
BS 1190

Sht 1 of 3

MOD No
REFERENCE
ISS
DATE
BY

FRONT POSITION (SIDE) & REAR
POSITION (SIDE)/ END OUTLINE MARKER LAMP

427.300
SERIES



APPROVED ALTERNATIVE MOUNTING POSITIONS

SR 0981	PRODUCTION REL	A	15/07/97	D.R.	BY
MOD NO	REFERENCE	ISS	DATE		

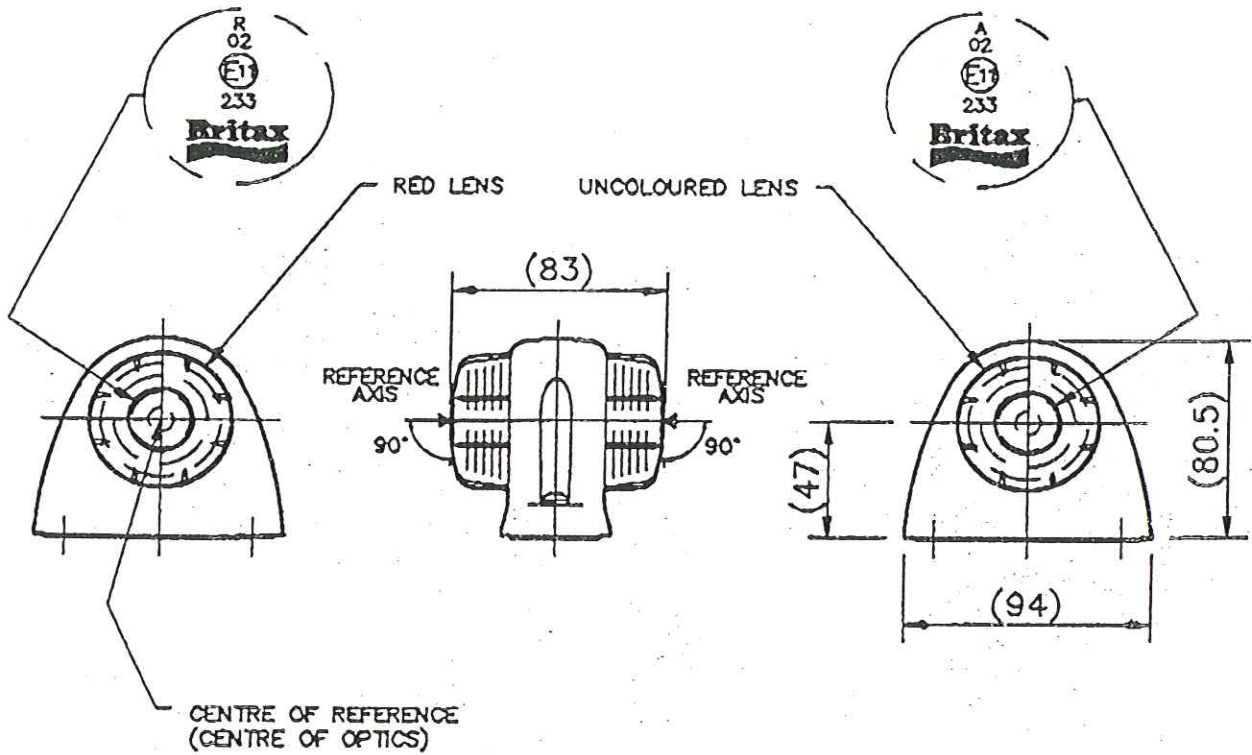


Britax PMG Limited
Bessingby Industrial Estate,
Bridlington,
East Yorkshire, YO16 4SJ

BS1191
Sht 3 of 3

FRONT POSITION (SIDE) & REAR POSITION (SIDE)/ END OUTLINE MARKER LAMP

428.100 SERIES



REFERENCE AXES, PARALLEL WITH ROAD SURFACE AND PARALLEL WITH THE VEHICLE MEDIAN LONGITUDINAL VERTICAL PLANE.
 BLACK RUBBER BASE WITH A STEEL BULBHOLDER, ZINC PLATED.
 THERMOPLASTIC LENS, RED & UNCOLOURED (MAY BE FITTED TO EITHER SIDE OF LAMP).
 BULB TYPE : R5W



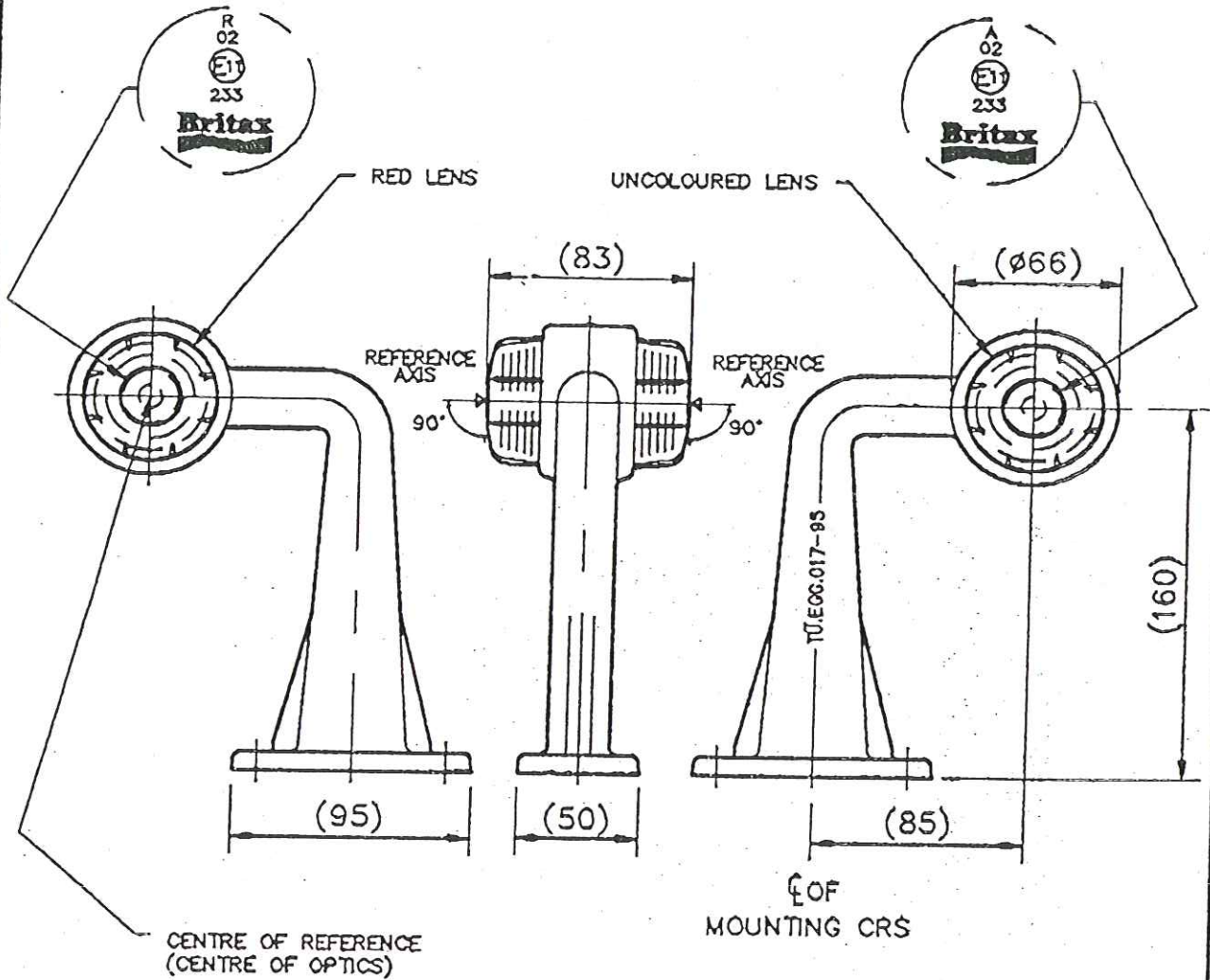
Britax PMG Limited
 Bessingby Industrial Estate,
 Bridlington,
 East Yorkshire, YO16 4SJ

BS 1192
 Sht 1 of 3

R 0381	PRODUCTION REL	A	15/07/97	D.R.	BY
	ISS		DATE		
	REFERENCE				

FRONT POSITION (SIDE) & REAR POSITION (SIDE)/ END OUTLINE MARKER LAMP

427.300 SERIES



REFERENCE AXES, PARALLEL WITH ROAD SURFACE AND PARALLEL WITH THE VEHICLE MEDIAN LONGITUDINAL VERTICAL PLANE.
 BLACK RUBBER BASE WITH STEEL MTG PLATE AND BULBHOLDER.
 THERMOPLASTIC LENS, RED & UNCOLOURED (MAY BE FITTED TO EITHER SIDE OF LAMP).
 BULB TYPE : R5W



Britax PMG Limited
 Bessingby Industrial Estate,
 Bridlington,
 East Yorkshire. YO16 4SJ

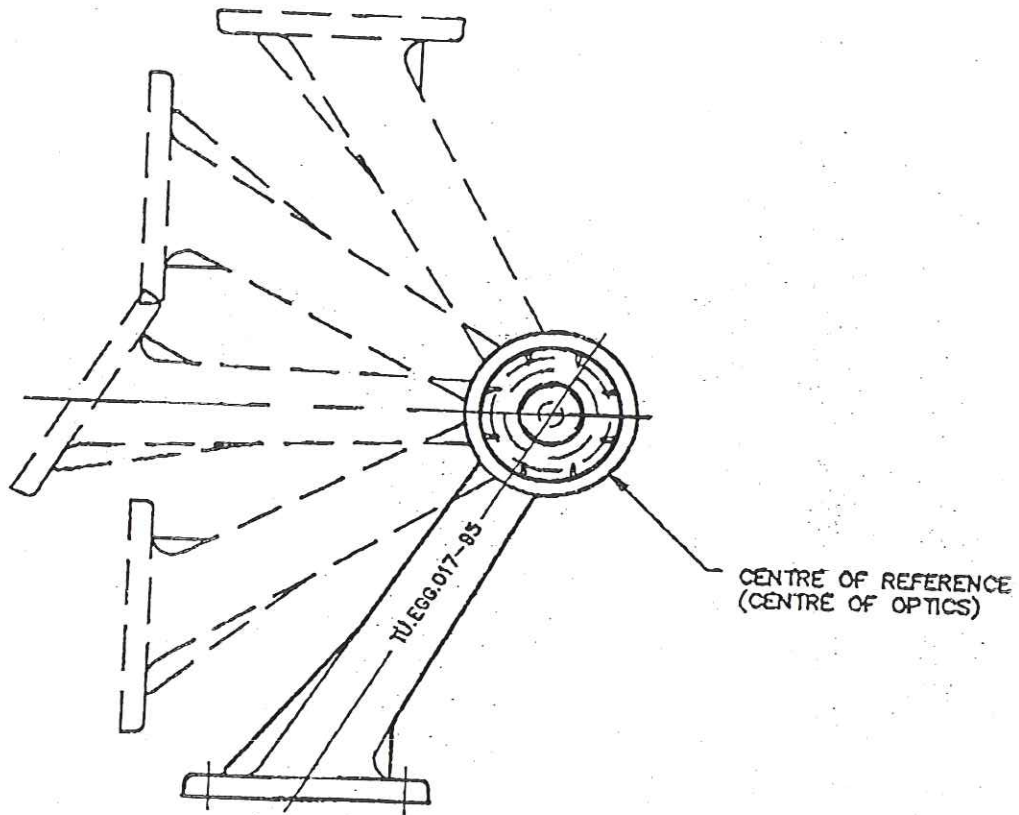
BS 1191

Sht 1 of 3

PRODUCTION REL.	A	15/07/97	D.R.
ISS		DATE	BY
REFERENCE			

FRONT POSITION (SIDE) & REAR
POSITION (SIDE)/ END OUTLINE MARKER LAMP

427.200
SERIES



APPROVED ALTERNATIVE MOUNTING POSITIONS

ISS BY
DATE
REFERENCE
MCD No

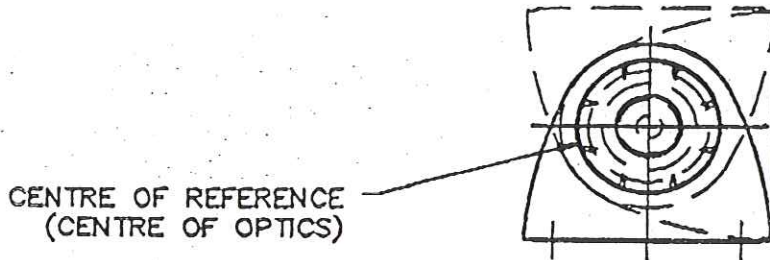


Britax PMG Limited
Bessingby Industrial Estate,
Bridlington,
East Yorkshire, YO16 4SU

BS1190
Sht 3 of 3

FRONT POSITION (SIDE) & REAR
POSITION (SIDE)/ END OUTLINE MARKER LAMP

428.100
SERIES



CENTRE OF REFERENCE
(CENTRE OF OPTICS)



APPROVED ALTERNATIVE MOUNTING POSITIONS



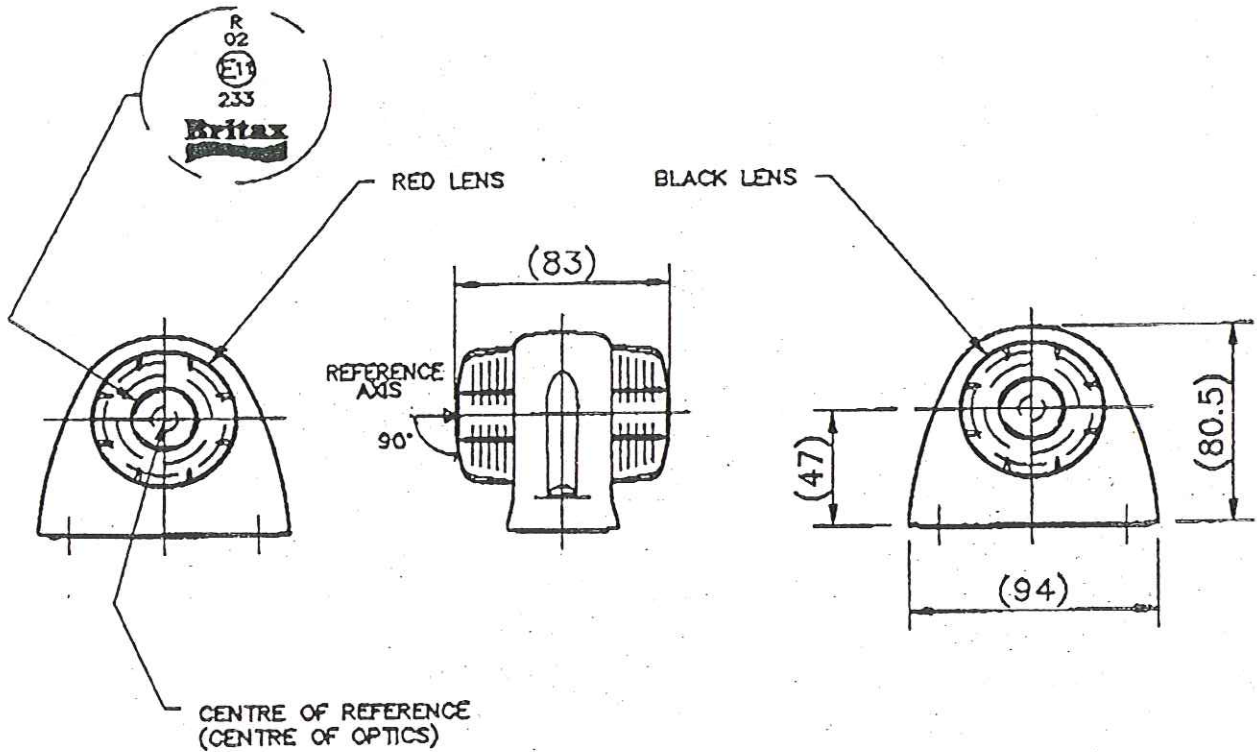
Britax PMG Limited
Bessingby Industrial Estate,
Bridlington,
East Yorkshire, YO16 4SJ

BS 1192
Sht 3 of 3

R 0981	PRODUCTION REL	A	15/07/97	D.R.
	REFERENCE	ISS	DATE	BY
MOO No				

REAR POSITION (SIDE)/
END OUTLINE MARKER LAMP

428.150
SERIES



REFERENCE AXES, PARALLEL WITH ROAD SURFACE AND PARALLEL WITH THE VEHICLE MEDIAN LONGITUDINAL VERTICAL PLANE.
BLACK RUBBER BASE WITH A STEEL BULBHOLDER, ZINC PLATED.
THERMOPLASTIC LENS, RED & BLACK (MAY BE FITTED ON EITHER SIDE OF LAMP).
BULB TYPE : R5W

R 0981 PRODUCTION REL. A 15/07/97 D.R. BY
MOD No REFERENCE ISS DATE



Britax PMG Limited
Bessingby Industrial Estate,
Bridlington,
East Yorkshire, YO16 4SJ

BS1193
Sht 1 of 3