

## **30W LED FLOOD LIGHT (MP4060) USER GUIDE**



### **IMPORTANT SAFETY INSTRUCTIONS**

- Fully charge the device before first use.
- Do not use the light in the immediate vicinity of inflammable materials or gases.
- Do not cover the product during operation
- Only ever use this product in conjunction with the accessories supplied.
- This product is not to be used by children unsupervised.
- Refrain from directing the output of the light directly into your eyes
- Thoroughly inspect the device and its accessories prior to each use. If any component is damaged, the product should not be used.
- This product contains no serviceable or replacement parts

## COMPONENTS



### Box Contents

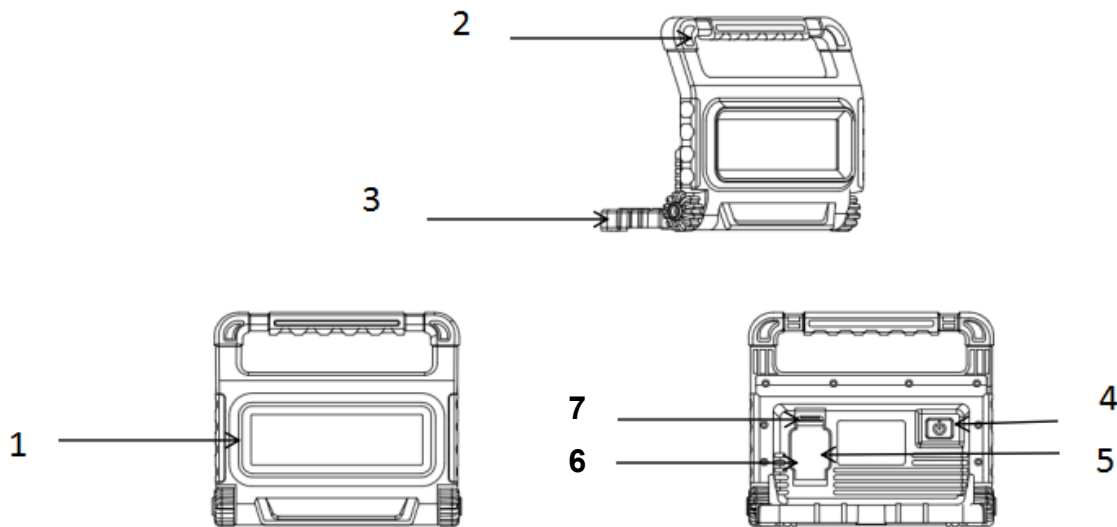
- 1 x 30W Flood Light
- 1 x USB Cable

## CHARGING

The device is charged directly by a USB cable supplied.

- Connect the type C USB plug into the charging socket (6)
- The battery charging status can be confirmed by the illumination of four green LED status lights on the rear face of the flood light (5). Once all four LEDs are permanently illuminated the charge process is complete.
- Fully charge the device at least once every three months to ensure the condition of the battery is maintained.

## OPERATION



- |                         |                               |                      |
|-------------------------|-------------------------------|----------------------|
| 1. Main 30W Flood light | 4. Power Button               | 7. USB type A output |
| 2. Handle               | 5. LED charging indicators    |                      |
| 3. Multi angle stand    | 6. USB type C charging socket |                      |

### Power Button

- Single press – LED will illuminate at 25% brightness
- Second press – LED will illuminate at 50% brightness
- Third press – LED will illuminate at 100% brightness
- Forth press – Off

## USING THE FLOOD LIGHT AS A POWER BANK

- The 12V lithium ion battery can be used as a power bank to charge anything that requires a 5VDC supply, such as phones, tablets and many other portable devices
- To charge a device insert a USB cable (not included) into the 5V/2A USB outlet (7)
- Connect to your device and charging will automatically commence.

## TECHNICAL SPECIFICATIONS

Part No	MP4060
Light output	High 3,000 Lumen/ Med 1,500 Lumen/ Low 750 Lumen
CRI	75
Lithium ion battery	3.7V 4 x 2,000mAh (8,000mAh)
Charging period	Approx 4-4.5hrs
Usage period	Approx Low 8hrs/ Med 4hrs/ High 2hrs
Colour temperature	6,500K (Cool white)
Charging input	5V DC 2A
IP Rating	IP54

## ENVIRONMENTAL PROTECTION



Waste electrical products should not be disposed of with household waste. Please recycle where facilities exist. Check with your local authority or retailer for recycling advice.

### Declaration

This apparatus meets the requirements of:  
EMC EN55015:2013+A1:2015; EN61547:2009; EN61000-3-2:2014; EN61000-3-3:2013  
EU RoHS Directive 2011/65/EU and its amendment (EU) no 2015/863

A handwritten signature in black ink, appearing to read 'S. J. Cole'.

Technical Manager, Maypole Ltd, June 2020  
Email: [sales@maypoleltd.co.uk](mailto:sales@maypoleltd.co.uk)

Web: [www.maypole.ltd.uk](http://www.maypole.ltd.uk)